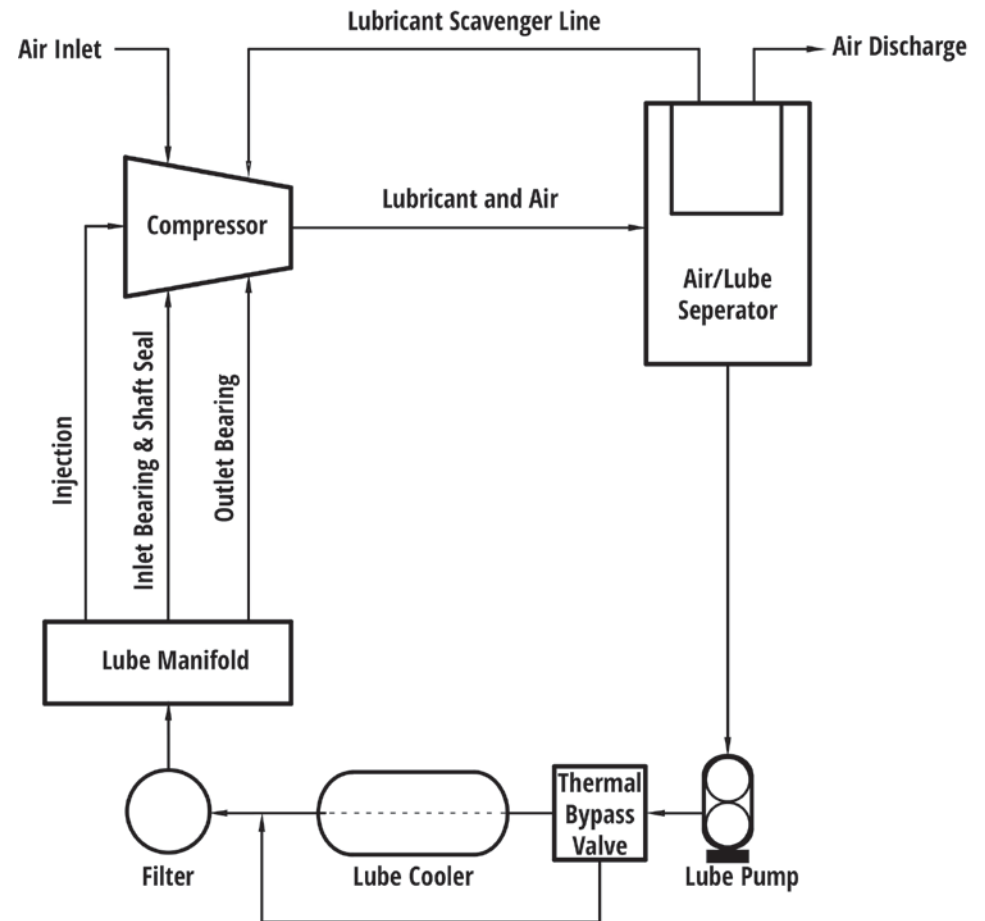


Lube Systems

Compressor Packages & Process Refrigeration



Compressor Package for Oil & Gas

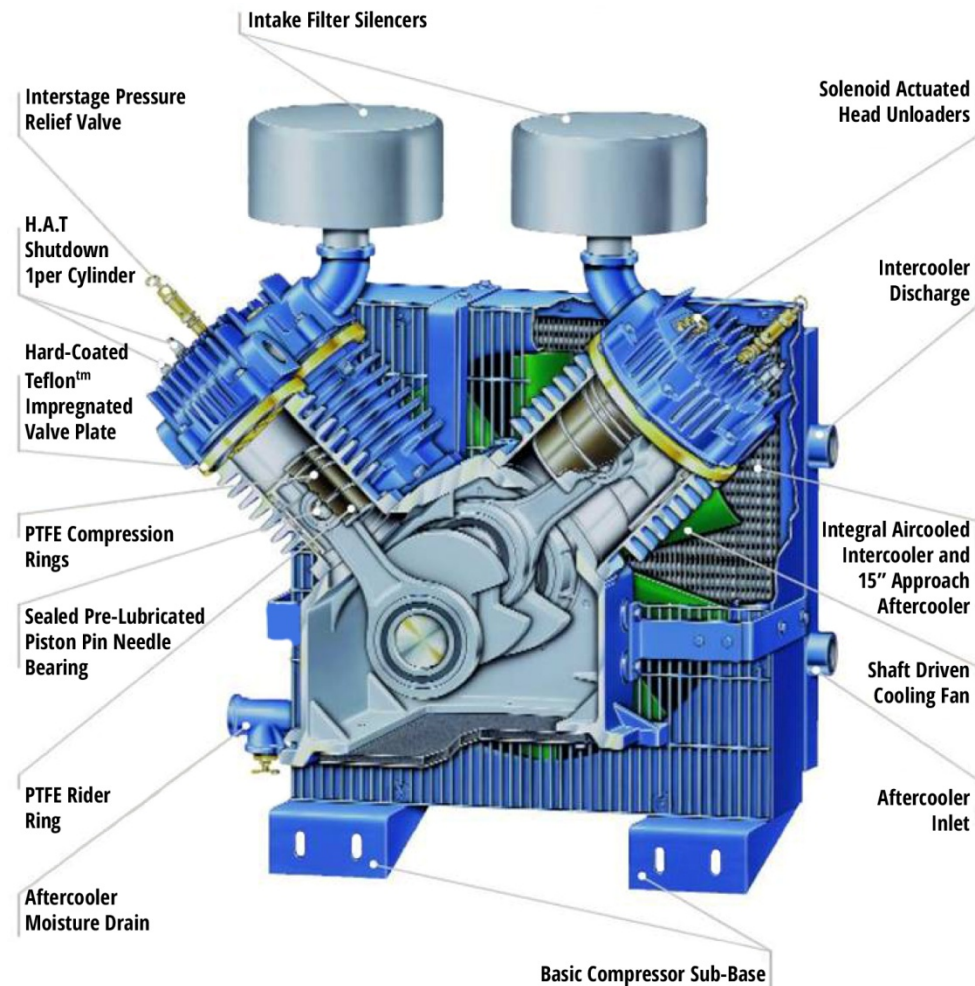


**Related Opportunities - Turbine Generator Lubrication Skids
and Heavy Equipment Lubrication**

Lube Systems

Functions

- Remove heat of compression except for oil free compressors
- Lubricate seals
- Lubricate bearings



Lube Systems

VOC User Wants

No Maintenance: Systems are in remote area where maintenance is very limited.

Specific Requirements: High pressure, special materials, and quality

Easy Access to Documentation: Service manuals, engineering data packs, and performance curves

Lube Systems

How GlobalGear® Delivers No Maintenance

- Overall More Robust Design
- Maintenance Free Thrust Bearing
- Heavy Duty Jack Screw End Clearance Adjustment
- Patented Lubrication Feature for Bushing Life
- API Plan 13 Vent to Suction for Longer Seal Life

Lube Systems

Meeting System Requirements

High Pressure: High pressure cartridge seals for 400 psi system pressure

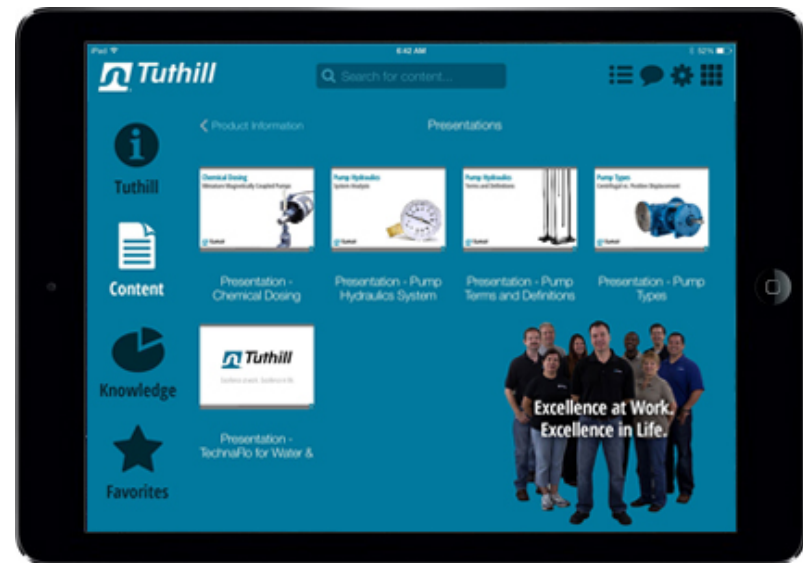
Specific Requirements: O-ring materials in seals to address specific requirements for certain liquids (ie. Hydrogen sulfide and/or glycol based lubricants).

Quality: High quality bedplate packages, pumps, drawings, documentation, and media

Lube Systems

How Tuthill Delivers Access to Documentation

Tuthill App for iPad with offline compatability
(*Search Tuthill in the App store*)



Learn More About Tuthill

Visit Our Websites

www.tuthillpump.com

www.tuthill.com



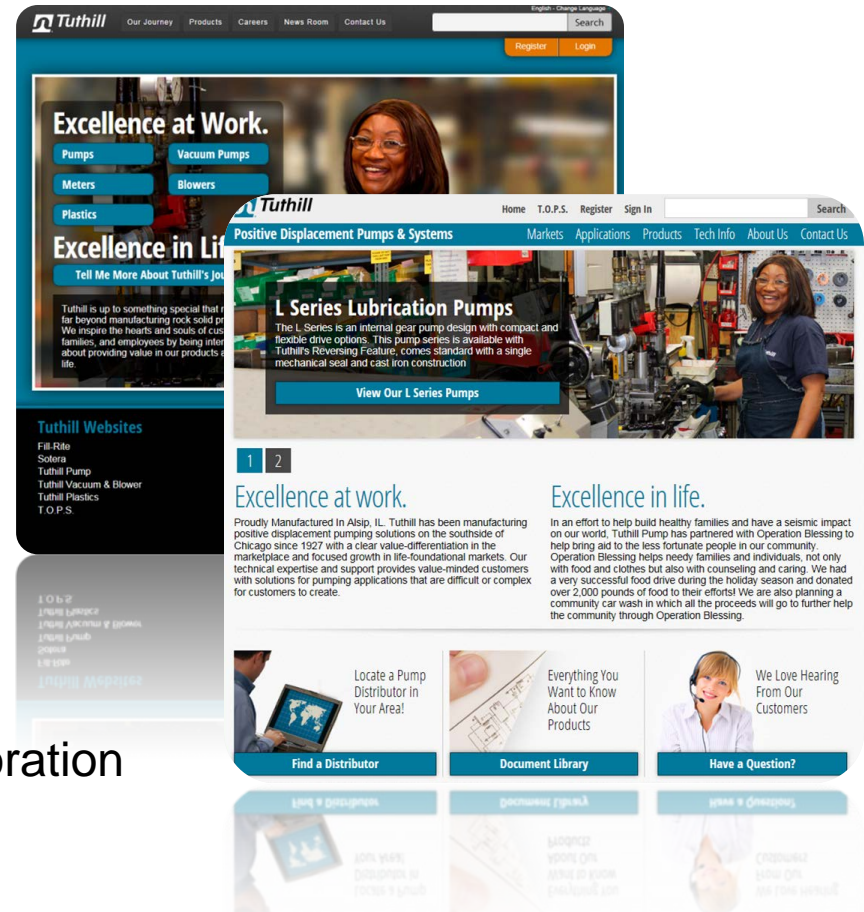
Like Us on Facebook

www.facebook.com/tuthillcorporation



Follow Us on Twitter

@TuthillCorp





Excellence at work. Excellence in life.

