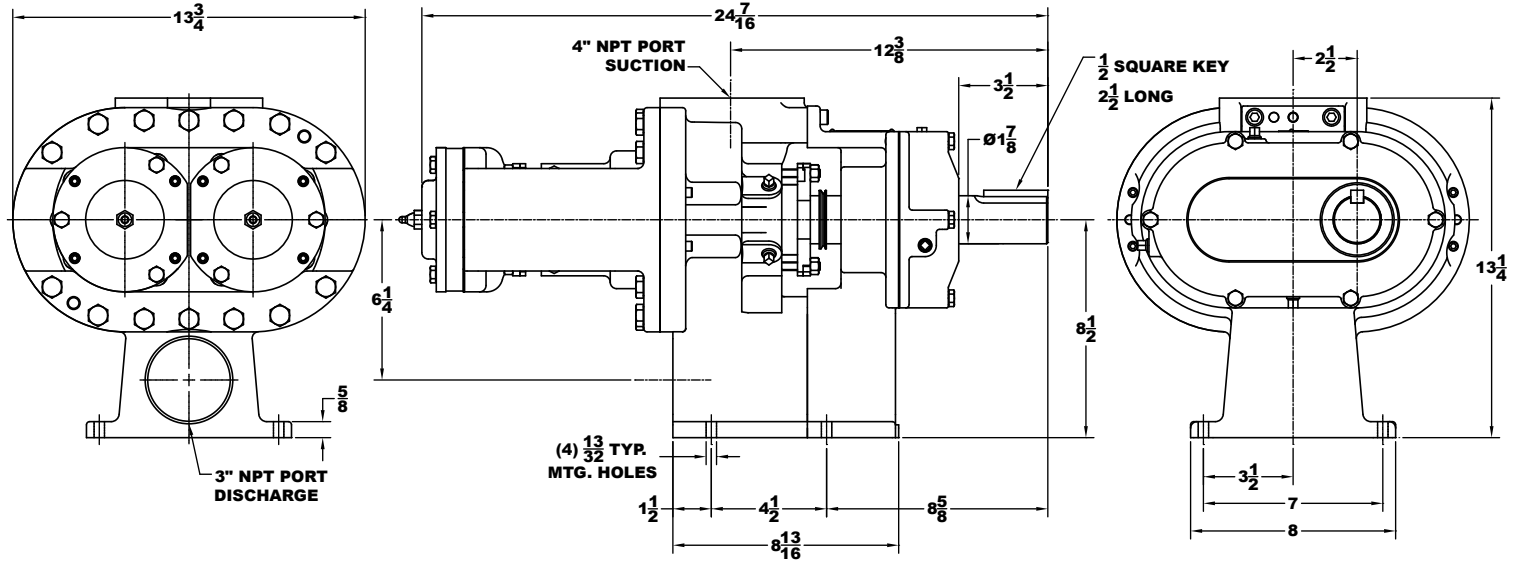
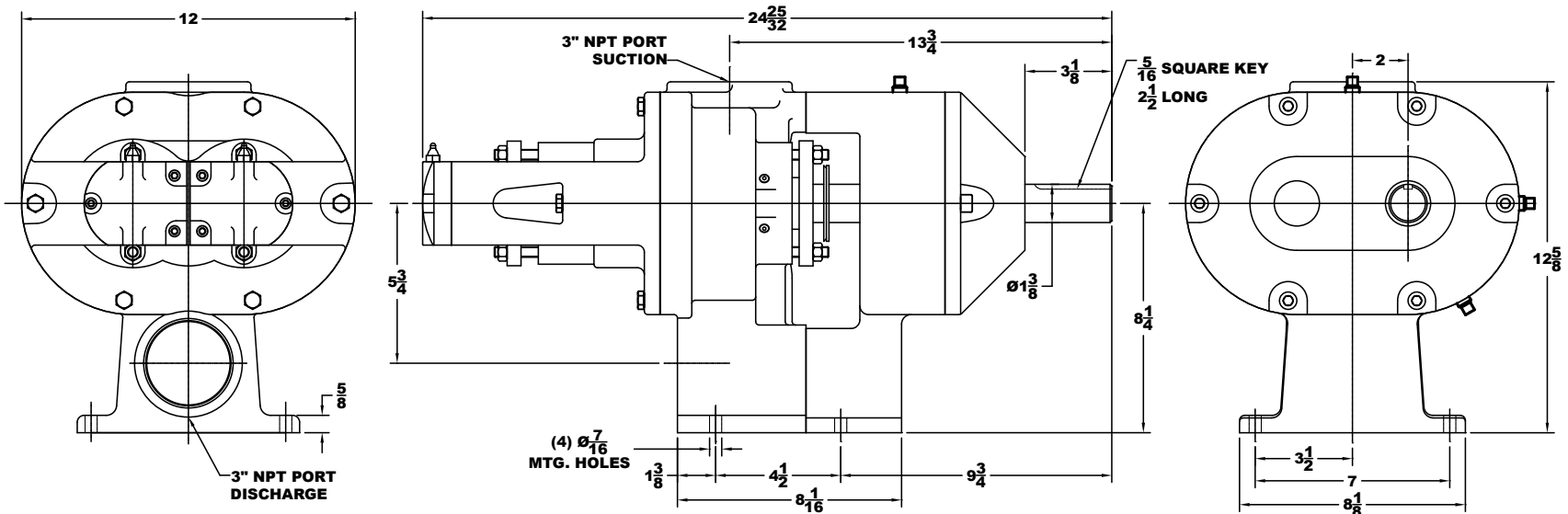


HD120A



HD3A



Section	Descriptor	120A	3A	Remarks
Mounting Holes	Mounting Hole Location	Same	Same	When replacing 120A with 3A existing mounting holes can be reused and adjustments made to piping and motor locations.
	Mounting Hole Size	(4) 13/32"	(4) 7/16"	Same fasteners can be re-used
Drive Shaft	Shaft Diameter	1-7/8"	1-3/8"	1/2" larger coupling bore required
	Square Key Size	1/2 x 2-1/2 Lg.	5/16 x 2-1/2 Lg.	Key for new coupling bore is also larger.
	Center of Mounting Hole Pattern to End of Shaft	10-7/8"	12"	Move motor closer to pump and/or increase coupling length to take up 1-1/8" difference.
	Shaft Offset (from Center of Pump)	2-1/2"	2"	Reposition motor 1/2"
	Shaft Center to Bottom of Pump	8-1/2"	8-1/4"	Shim motor 1/4" (NOTE: Shimming pump 1/4" and shimmming motor 1/2" will maintain discharge piping height).
	Shaft End to Body of Pump	3-15/32"	3-1/8"	70A has more room to fit larger coupling.
Suction Port	Size	4" NPT	3" NPT	
	Center of Port to Center of Mounting Pattern	1-1/2"	1-3/4"	Relocate port piping 1/4" towards motor end of pump.
	Center of Port to End of Shaft	12-3/8"	13-3/4"	
	Bottom of Pump to Port Surface	13-1/4"	12-5/8"	120A is .625 higher, so cut back piping by that amount.
Discharge Port	Size	3" NPT	3" NPT	
	Center of Port to Bottom of Pump	2-1/4"	2-1/2"	Shim pump 1/4" (NOTE: Shimmming pump 1/4" and shimmming motor 1/2" will maintain discharge piping height).
	Center of Port to Drive Shaft	6-1/4"	5-3/4"	Reference dimensions
Pump Footprint	Width	13-3/4"	12"	
	Height	13-1/4"	12-5/8"	
	Length (including shaft)	24-7/16"	24-25/32"	